

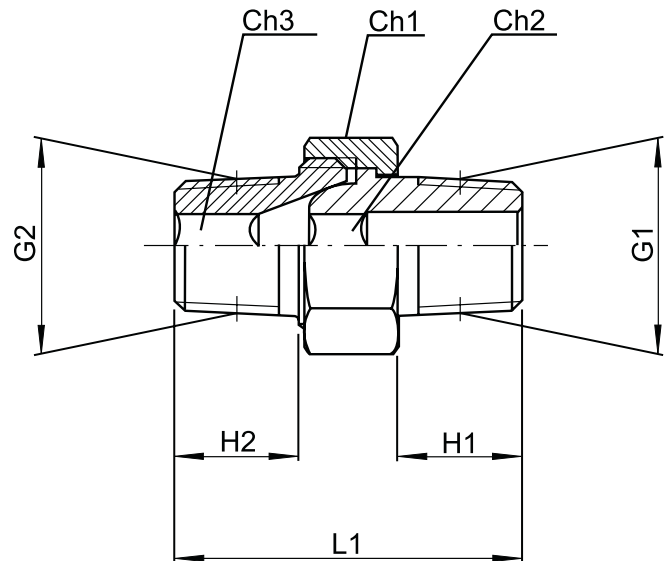


NIPPLE (3 PIECES) ASSEMBLED



NIPPLE (3 PIECES) NOT ASSEMBLED

CONICAL NIPPLE (3 PIECES) MALE/MALE



| Thread G1 | Thread G2 | H1 | H2 | L1 | Ch1 | Ch2 | Ch3 |
|-----------|-----------|----|----|------|-----|-----|-----|
| 1/8" | 1/8" | 9 | 9 | 27 | 15 | 5 | 5 |
| 1/4" | 1/4" | 12 | 12 | 33,5 | 19 | 6 | 6 |
| 3/8" | 3/8" | 13 | 13 | 36,5 | 22 | 8 | 8 |
| 1/2" | 1/2" | 16 | 16 | 44 | 27 | 12 | 12 |
| 3/4" | 3/4" | 18 | 18 | 53 | 36 | 14 | 14 |
| 1" | 1" | 22 | 22 | 64 | 46 | 19 | 19 |

Fields of use: water, oil, compressed air, generic fluids for hydraulic plants, oleodinamic and hydropneumatic.

Thread: gas conical complying with ISO 7.1, BS 21, DIN 2999. Metric complying with ISO R/262.

Material: brass OT UNI EN 12164/5 CW 614N

Finishing: yellow or nickel plated by galvanic treatment.

Prices and sale conditions are available submitting your address by e-mail to our commercial department:

info@salerivitale.com

Our skilled staff and technology are at your disposal also to produce parts on client's drawings.